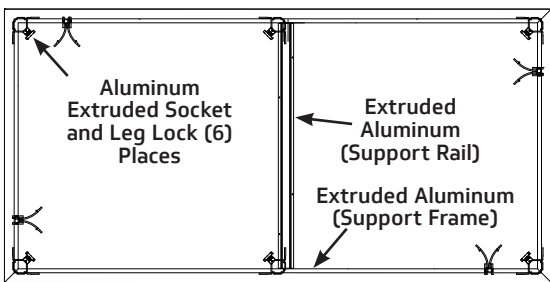
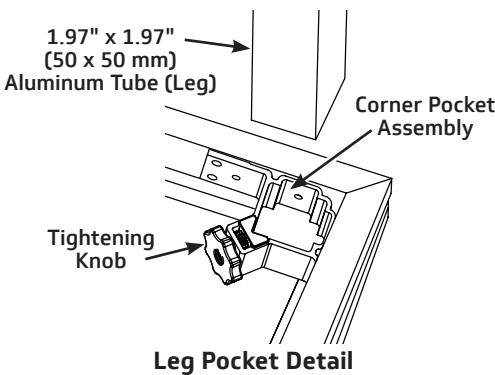
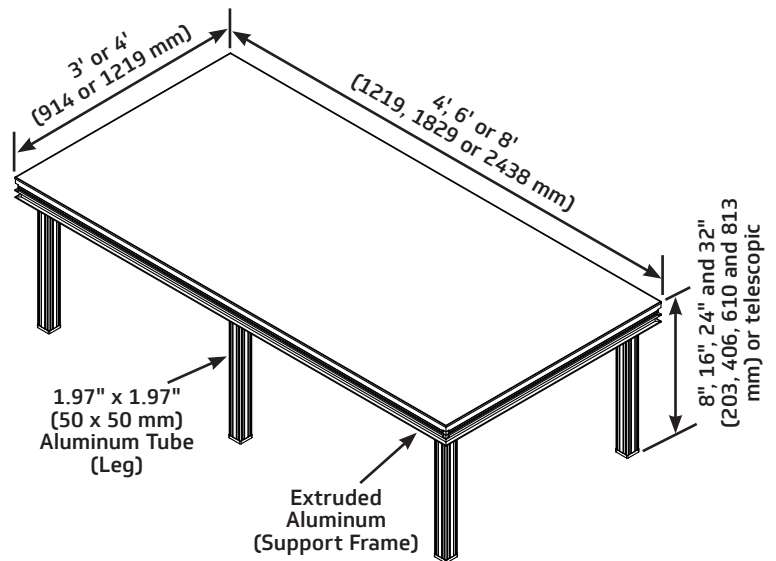


Versalite® Platforms

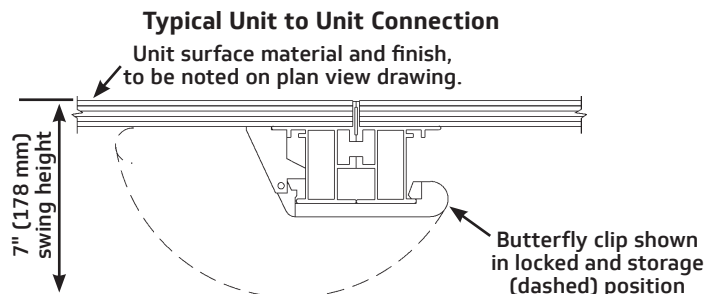
- 133H803_ Decks are available in the following sizes:
 3' x 3' (914 x 914 mm): 37 lb (16.8 kg) 3' x 6' (914 x 1829 mm): 65 lb (29 kg)
 3' x 8' (914 x 2438 mm): 87 lb (39 kg) 4' x 4' (1219 x 1219 mm): 59 lb (27 kg)
 4' x 6' (1219 x 1829 mm): 85 lb (38.5 kg) 4' x 8' (1219 x 2438 mm): 107 lb (48.5 kg)
- Surface options:
 - Black Standard (Moroccan): Platforms are 3/4" (19 mm) plywood with slip resistant overlay recommended for general multi-purpose applications
 - Black Heavy-Duty (Quadriple): Platforms are 3/4" (19 mm) plywood with an aggressive textured overlay for applications requiring greater slip resistance
 - Natural Hardboard: Platforms are 3/4" (19 mm) using 1/2" (12 mm) plywood bonded between two faces of 1/8" (3 mm) tempered hard-ply
 - Carpeted: Manufacturer's standard grey carpet over a 5/8" (16 mm) plywood core (Contact Wenger for a sample)
 - Carpet Ready: A 5/8" (16 mm) plywood core ready to receive carpet surface
- Versalite Load Ratings as measured on a 4' x 8' (1219 x 2438 mm) rectangular deck:
 - Standard Uniform Load: 125 lb/ft² (6 kN/m²)
 - Dynamic Live Load: Side load of 15% of total uniform live load which equals 600 lb (2.7 kN) side load on a platform under a total uniform live load of 4,000 lb (17.8 kN)
 - Point Load: 1,500lb (6.7 kN) applied via 1" (25 mm) diameter pin
- Frame and edging are fabricated from 3" (76 mm) thick aluminum extrusion; the extrusion is designed with special grooves to protect the top surface edge, to connect adjacent platforms and to attach all accessories
- Deck units have six extruded aluminum leg sockets to accept the detachable legs that lock quickly into leg socket with the rotation of the knob
 - 3' x 6' (914 x 1829 mm) and 4' x 4' (1219 x 1219 mm) decks have four leg sockets
- Standard leg sizes are 8" (203 mm), 16" (406 mm), 24" (610 mm) and 32" (813 mm); custom leg sizes are available
- Adjustable telescopic leg sets 16"-28" (406-711 mm), 25"-40" (635-1016 mm) and 31"-54" (787-1372 mm)
- Legs are made from aluminum and have a plastic cap to protect flooring; optional legs are available with adjustable screw-type feet to accommodate uneven surfaces
- Optional leg storage clips are available
- Unit-to-unit connectors lock units together, both side-to-side and end-to-end to provide strength and uniformity throughout the stage system
- Five-year warranty



Versalite Typical Staging Unit



Leg Pocket Detail



Accessories

Transport Carts

- Staging Universal Deck & Rail Cart is ideal for non-rectangular units such as pie shapes used in seated risers and oversize units used in the portable disability ramp or when no double door is available (fits through a 32" [813 mm] door)

Stairways – Fixed Height and Adjustable

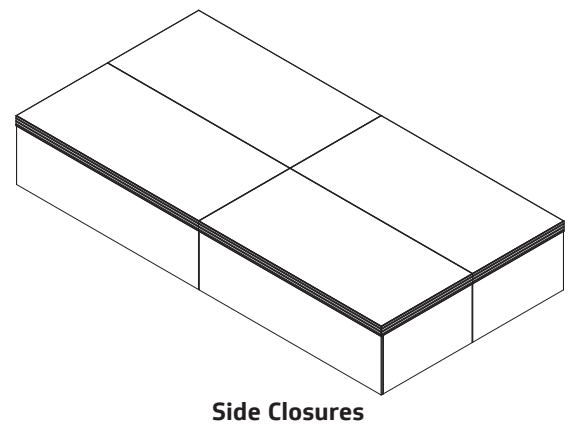
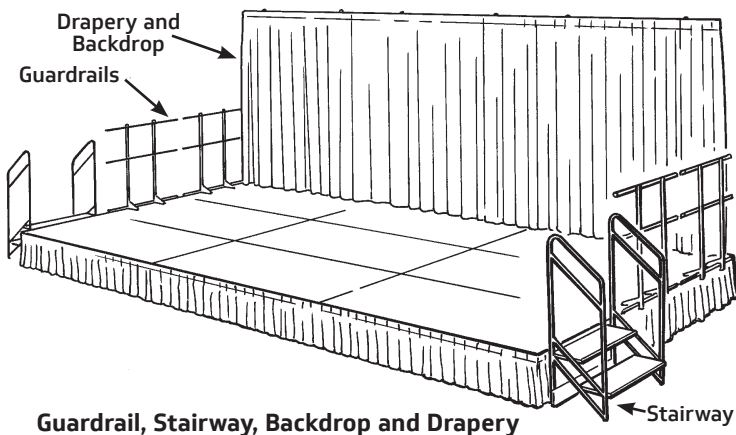
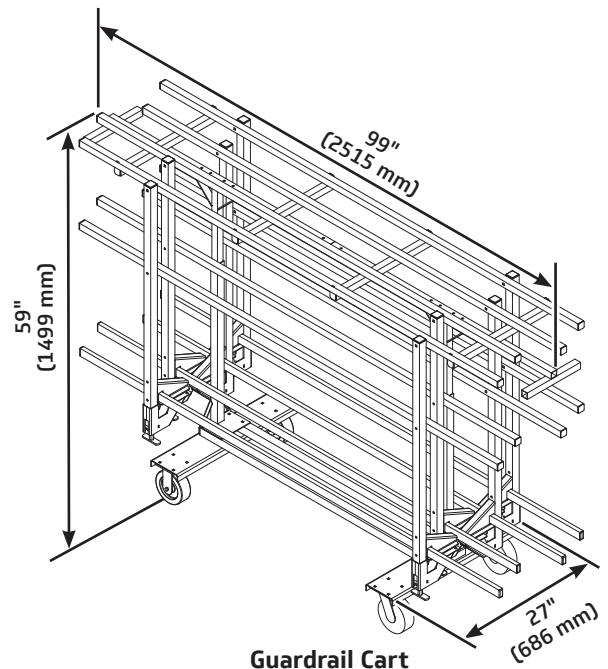
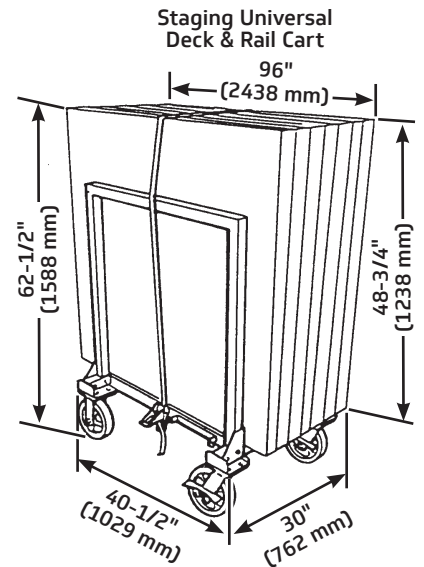
- Fixed Height Stairways:
 - Two Step: 281A100 55 lb (25 kg)
 - Three Step: 281A101 76 lb (34 kg)
 - Four Step: 281A102 94 lb (43 kg)
- Adjustable Height Stairways:
 - Three Step: 281A201 107 lb (49 kg)
 - Four Step: 281A202 122 lb (55 kg)
 - Six Step: 281A203 160 lb (73 kg)
 - Eight Step: 281A204 188 lb (85 kg)

Rails

- Guardrails comply with many building code requirements for loading
- Guardrails are available with either two cross bars or an infill panel that complies with the 4" (102 mm) sphere rule that appears in many building codes; both designs incorporate a chair stop
- Guardrails are 42" (1067 mm) high with a black powder-coat paint finish, chair stop has a dark grey powder-coat paint finish
- Guardrails clamp to the stage without the need for tools
- Guardrail Cart: 011D800 91 lb (41 kg)

Drapery and Backdrop

- Drapery closures are available in heights to match the staging elevations
- Dual height drapery is available for the dual height stages
- Drapery available in a wide variety of colors. 100% fire retardant woven polyester
- Drapery attaches with hook and loop fastening system
- Backdrop frame attaches to guardrails for safety



Wenger

JRCLANCY

GEARBOSS

© 2024 Wenger Corporation
USA/2024-04

Minnesota Location

Wenger Phone 800.4WENGER (493-6437) Wenger Worldwide +1.507.455.4100 | Parts & Service 800.887.7145 | wengercorp.com
GearBoss Phone 800.493.6437 | gearboss.com
555 Park Drive, PO Box 448 | Owatonna | MN 55060

New York Location

J.R. Clancy Phone 800.836.1885 JR Clancy Worldwide +1.315.451.3440 | jrclancy.com | 7041 Interstate Island Road | Syracuse | NY 13209